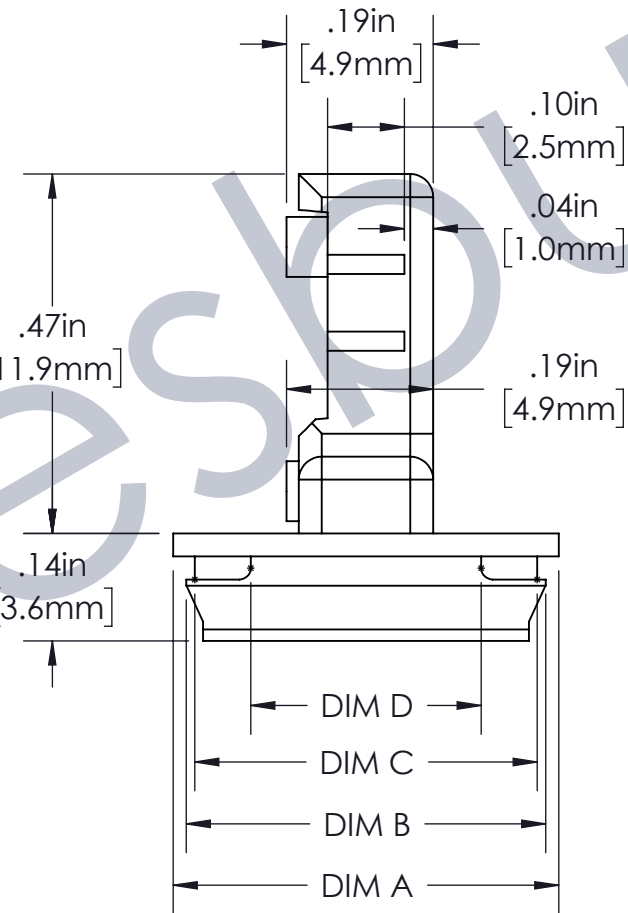
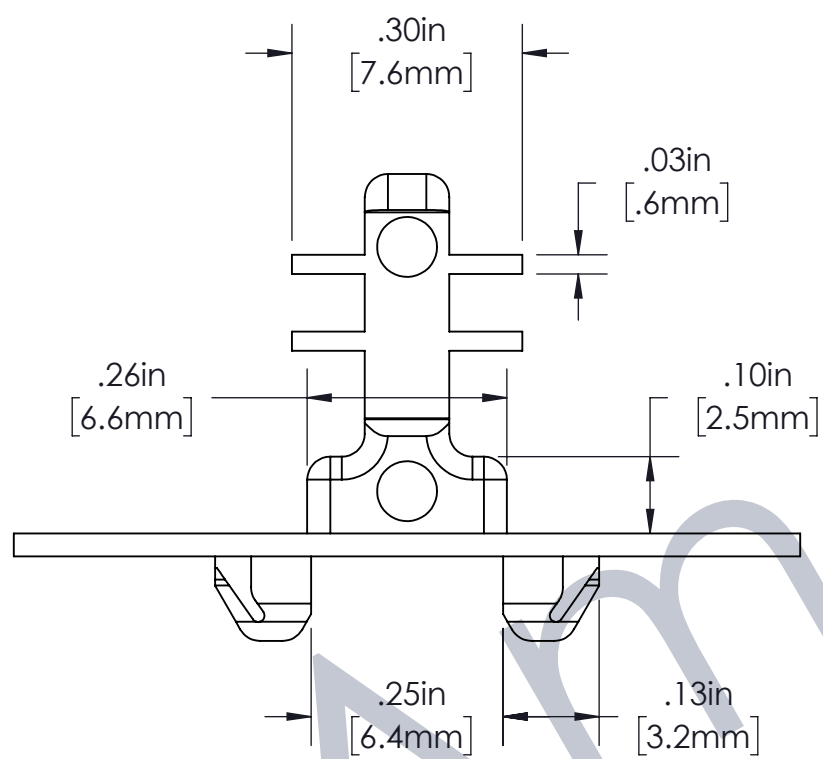


PART NO	AIRSPACE	DIM A	DIM B	DIM C	DIM D
12960	11/32	.31	.28	.26	NA
12192	17/32	.50	.47	.45	.27
12464	23/32	.69	.66	.63	.45



CUSTOMER PAGE

**Amesbury Truth**  
 Engineered Solutions. Trusted Results.  
 THE INFORMATION CONTAINED IN THIS DRAWING IS CONFIDENTIAL AND PROPRIETARY. THIS DRAWING IS NOT TO BE COPIED OR REPRODUCED IN WHOLE OR IN PART WITHOUT EXPRESS WRITTEN PERMISSION.

INTERPRET PER:  
 ASME Y14.5M-2009  
 UNITS: INCH  
 THIRD ANGLE PROJECTION

DRAWING TITLE:  
 5/16 x 1/4 GRID CLIP  
 SCALE: 4:1  
 DRAWING #: 12191  
 SHEET 1 OF 1